

ÜBERSICHTSZEICHNUNG

ASSEMBLY DRAWING

GHOST



RIOT AL (MY23)

2023-03-16

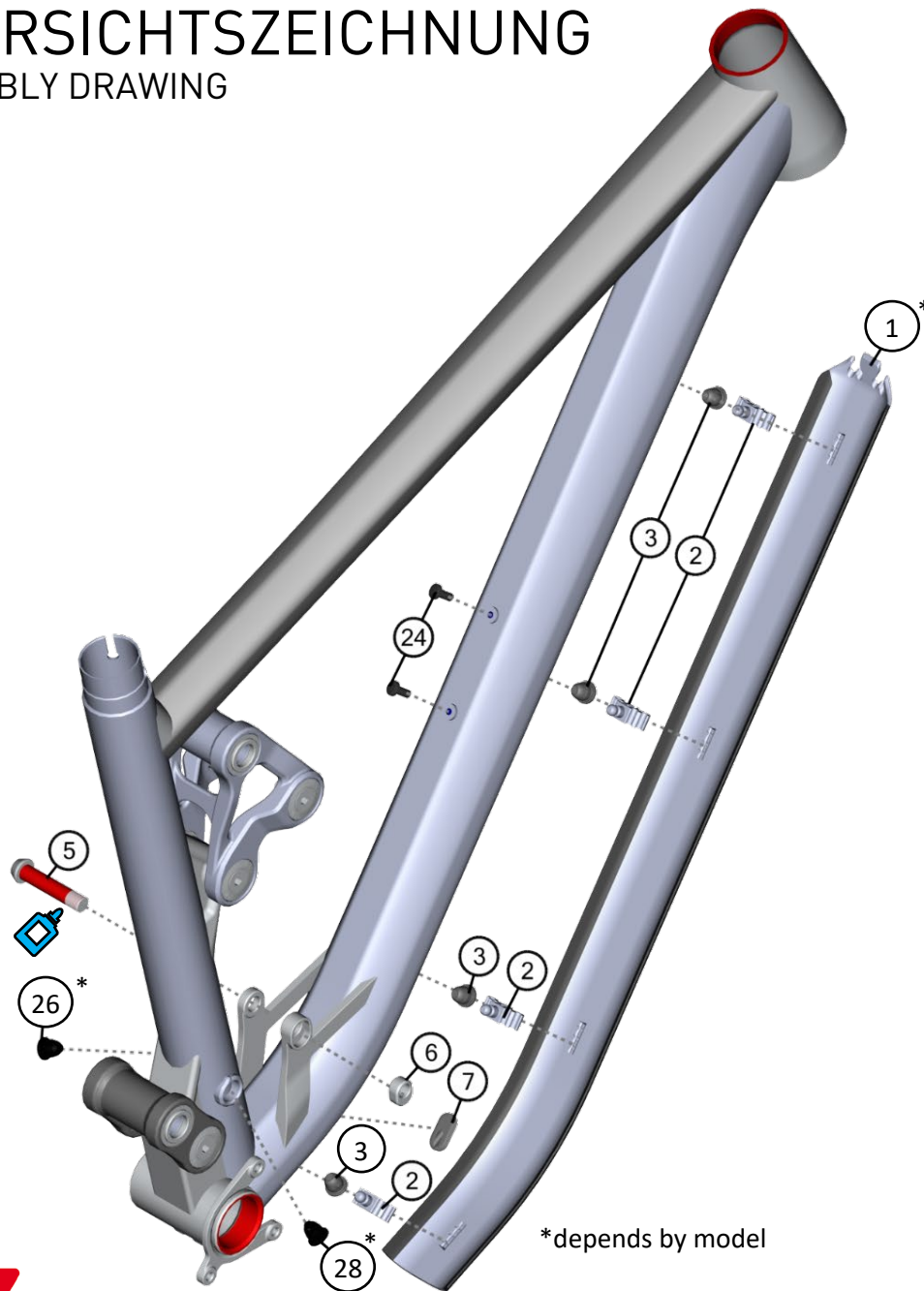
V01


ÜBERSICHTSZEICHNUNG ASSEMBLY DRAWING

GHOST

Hinweis: Bei den Schrauben muss mittelfeste Gewindesicherung verwendet werden.
Rote Flächen müssen gefettet werden.

note: use medium strength screw lock for screw threads.
red surfaces have to be greased.



 medium strength screwlock

RIOT (MY22)
2023-03-16
V01

ÜBERSICHTSZEICHNUNG

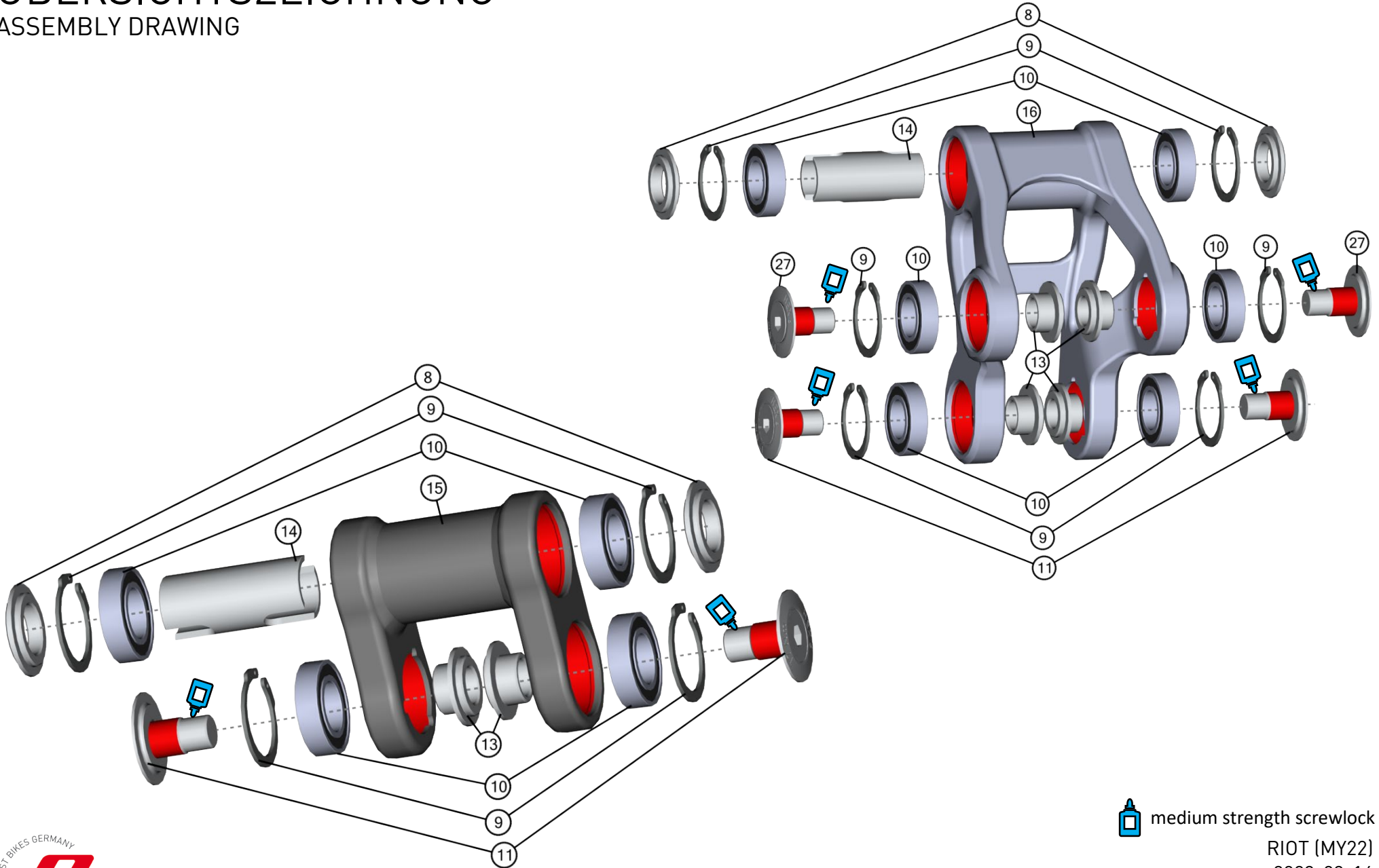
ASSEMBLY DRAWING


GHOST

BOM-ID	Item no.	Description	Specification	Torque	QTY
1*	FRPR0056	Downtube cover riot TRAIL			1
1*	FRPR0058	Downtube cover riot AM & ENDURO			1
2	FROT0062	Nirvana cable clip cover			4
3	FROT0160	Böllhoff snaploc-coupling			4
5	FRSC0103	Lower shock mount axle	HEX 6	17 Nm	1
6	FRNT0053	Lower shock mount nut			1
7	FROT0074	Winning cable guide plug 4.5mm			1
24	SM0919	Screw torx		5 Nm	2
26*	FROT0173	Plugs for eigtpins holes left			1
28*	FROT0226	Plugs for eigtpins holes right			1

ÜBERSICHTSZEICHNUNG ASSEMBLY DRAWING

GHOST



 medium strength screwlock

RIOT (MY22)
2023-03-16
V01

ÜBERSICHTSZEICHNUNG

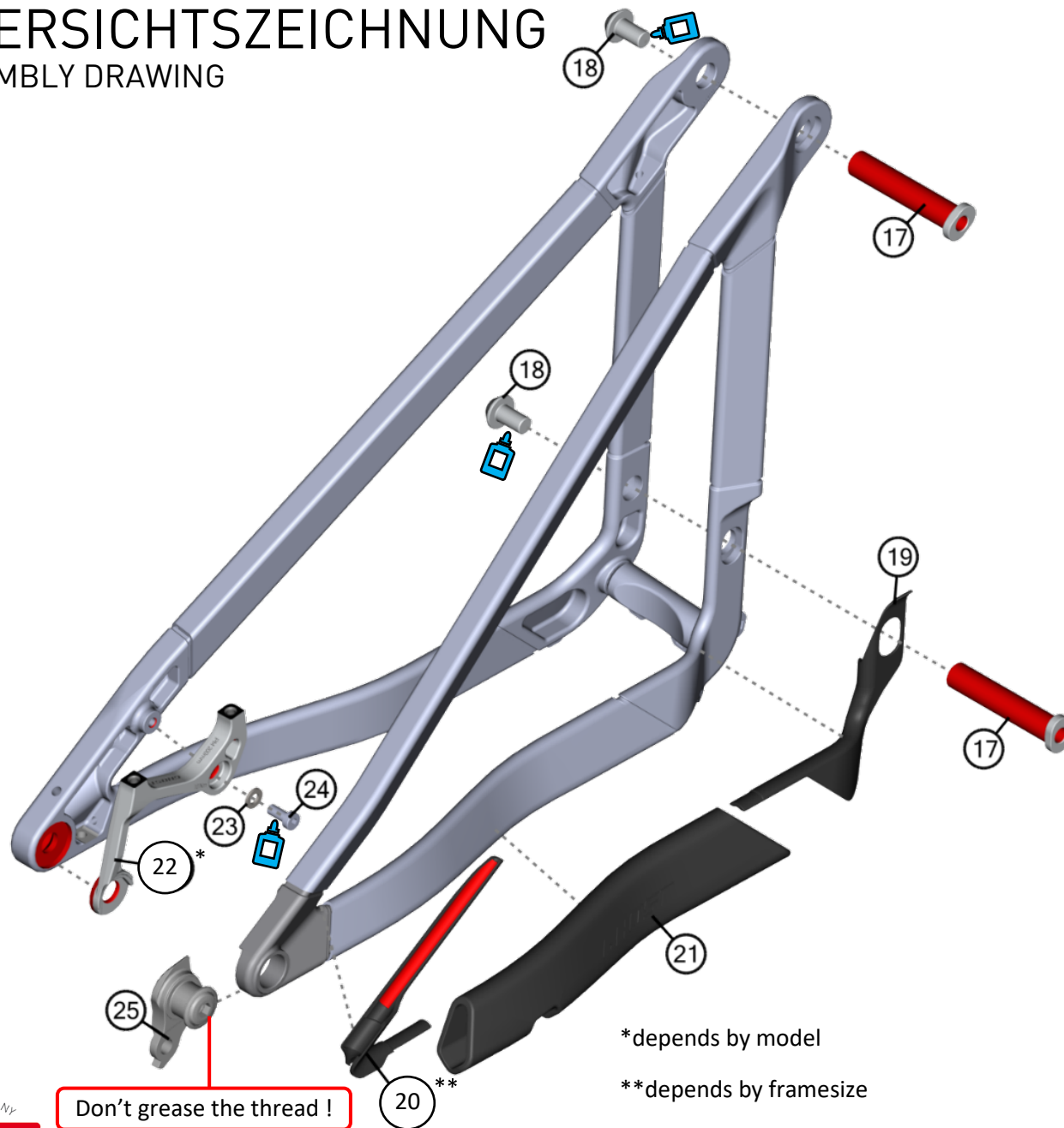
ASSEMBLY DRAWING

GHOST

BOM-ID	Item no.	Description	Specification	Torque	QTY
8	FRWS0041	bearing spacer - link pivot csy & ssy			4
9	FRWS0042	circlip	IRTW-28		10
10	FRBR0001	bearing 6902v-2rs	28mm x 15mm x 7mm		10
11	FRSC0024	screw with cap		22 Nm	6
13	FRSP0001	bearing spacer - link pivot st & shock			6
14	FRSP0002	link pivot bushing - csy & ssy			2
15	FRR00002	link			1
16	FRR00001	upper rocker link			1
27	FRSC0107	shock mount screws		17 NM	2

ÜBERSICHTSZEICHNUNG ASSEMBLY DRAWING

GHOST




Hinweis: Bei den Schrauben muss mittelfeste Gewindegewissicherung verwendet werden.
Rote Flächen müssen gefettet werden.

note: use medium strength screw lock for screw threads.
red surfaces have to be greased.

*depends by model

**depende by framesize

 medium strength screwlock

Don't grease the thread !

ÜBERSICHTSZEICHNUNG

ASSEMBLY DRAWING

GHOST

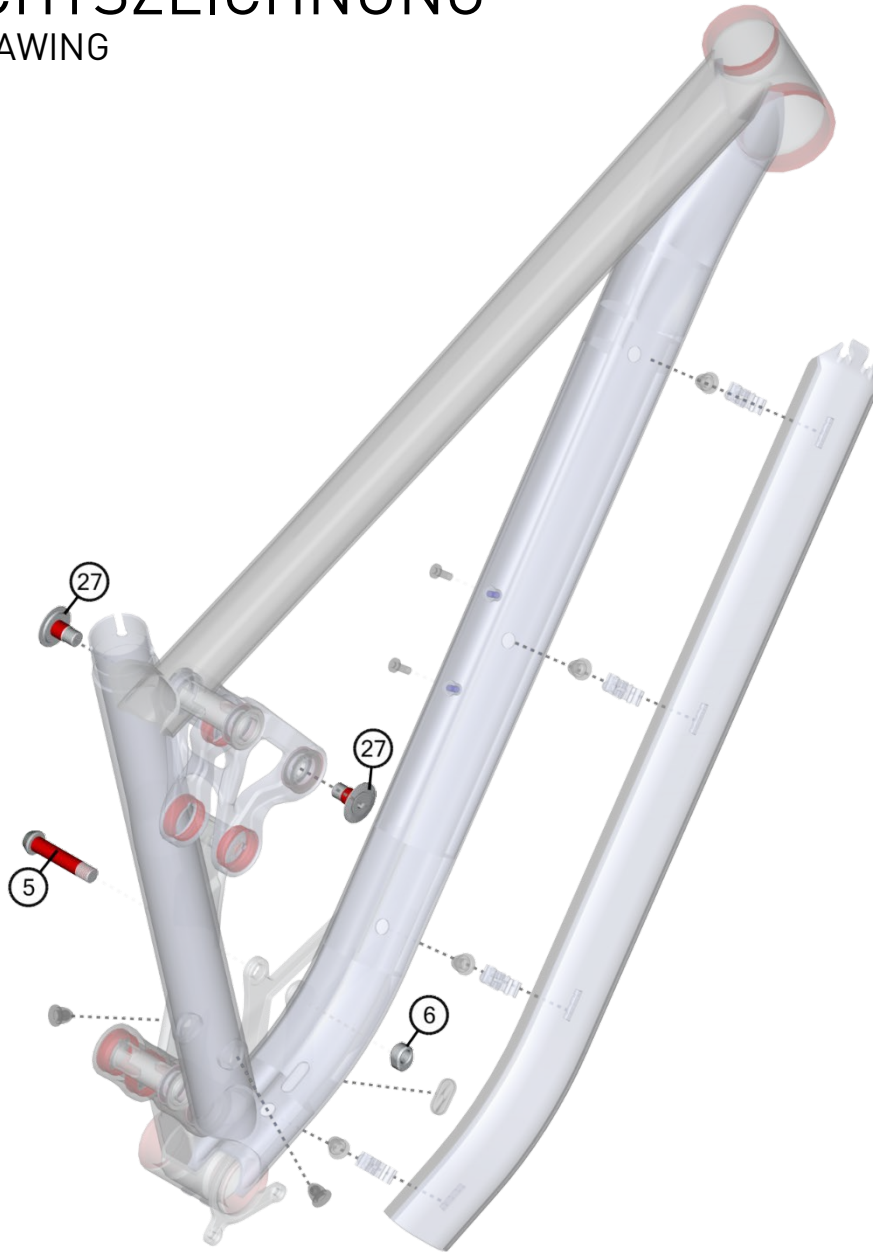
BOM-ID	Item no.	Description	Specification	Torque	QTY
17	FRAX0008	Link pivot axle - csy &ssy			2
18	FRSC0106	Link pivot screw - csy &ssy	HEX 6 - M10 x 1,0	22 Nm	2
19	FRPR0054	Chainstay yoke protector riot			1
20**	FRPR0066	Chainstay/seatstay protector FRAMESIZE S			1
20**	FRPR0055	Chainstay/seatstay protector FRAMESIZE M - XL			1
21	FRPR0053	Chainstay protector			1
22*	FROT0112	Disconnect Brakemount PM 180 MM			1
22*	FROT0158	Disconnect Brakemount PM 200 MM			1
22*	FROT0159	Disconnect Brakemount PM 203 MM			1
23	SM1243	Shim	D 6,4 mm		1
24	SM1693	Screw	HEX4 - M6 x 14 mm	10 Nm	1
25	FRHG0061	Sram udh hanger with shim and nut	Don't grease the thread	25 Nm	1

*depends by model

**depends by framesize

ÜBERSICHTSZEICHNUNG ASSEMBLY DRAWING

GHOST

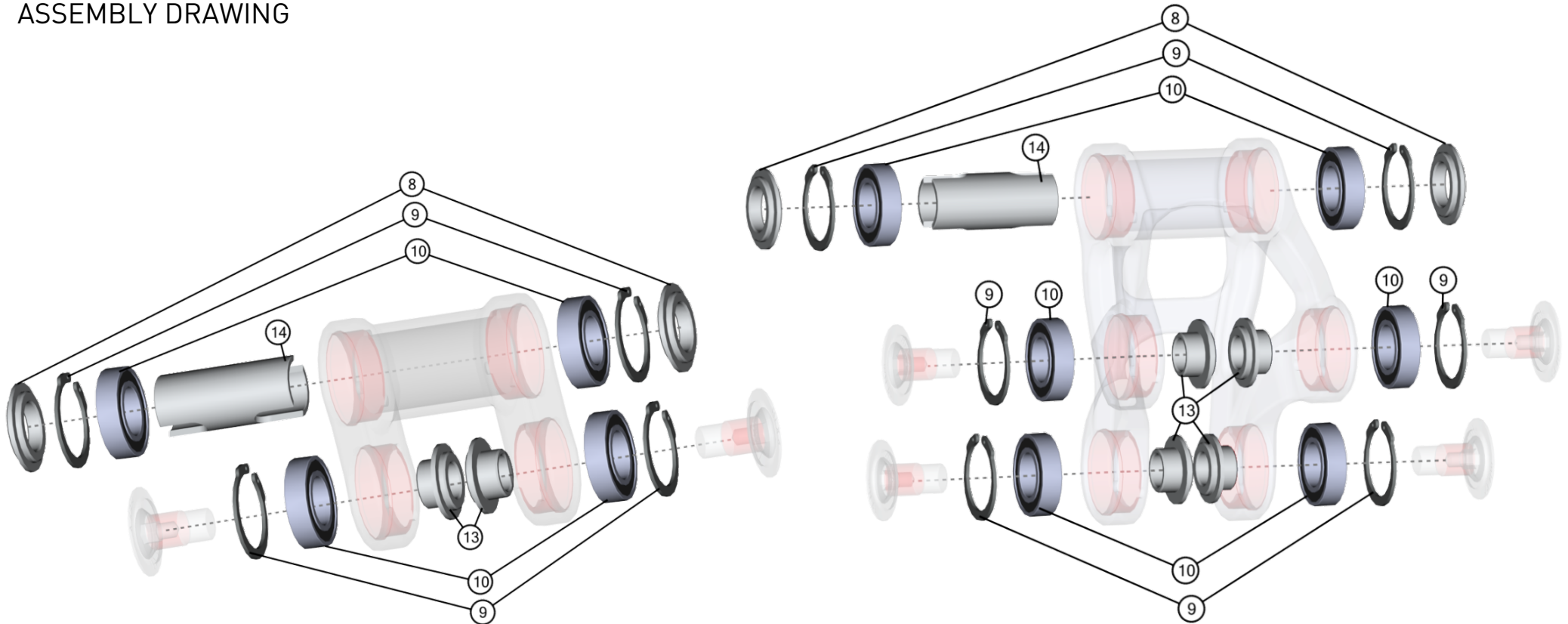


KE0315 Shock Axle Kit

BOM ID	Item No	Description	QTY
27	FRSC0107	Shock mount screws 17 NM	2
6	FRNT0053	Lower shock mount nut	1
5	FRSC0103	Lower shock mount axle	1

ÜBERSICHTSZEICHNUNG ASSEMBLY DRAWING

GHOST



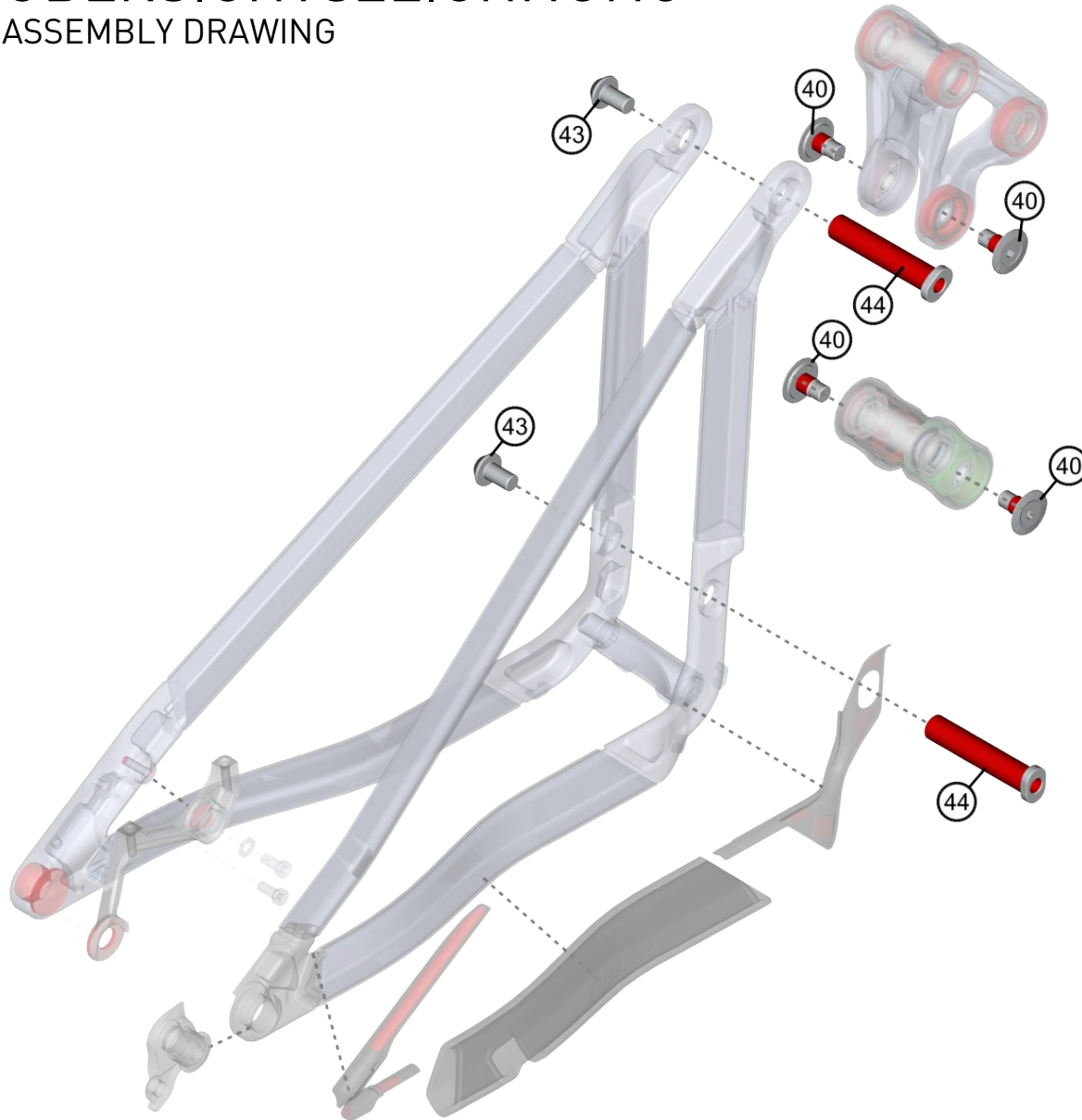
KE0316 Bearing Kit

BOM ID	Item No	Description	Specification	QTY
10	FRBR0001	Bearings 6902V-2RS	28mm x 15mm x 7mm	10
13	FRSP0001	Bearing Spacer		6
9	FRWS0042	Circlip		10
8	FRWS0041	Bearing Spacer		4
14	FRSP0002	Link Pivot Bushing		2

ÜBERSICHTSZEICHNUNG

ASSEMBLY DRAWING

GHOST



KE0314 Axle & Screw Kit

BOM ID	Item No	Description	QTY
40	FRSC0024	Screw w cap 22 NM	4
44	FRAX0008	Link Pivot Axle	2
43	FRSC0106	Link Pivot Screw	2

Kit includes not Axles & Screws for Shock Mount

ÜBERSICHTSZEICHNUNG

ASSEMBLY DRAWING



Datenblatt

Fact Sheet

HEADSET	TOP: ZS44	BOTTOM: ZS56
SEATPOST DIAMETER	34.9 MM	
CLAMP INNER DIAMETER	38.0 MM	
BOTTOM BRACKET	BSA73	
SHOCK LENGTH	185 MM	
SHOCK TRAVEL	55 MM	
SHOCK HARDWARE TOP	TRUNNION	
SHOCK HARDWARE BOTTOM	30MM x 10	
BRAKEMOUNT TYPE	POST MOUNT	
DISC SIZE (MIN)	180 MM	
REAR AXLE (X12)	148 MM (BOOST)	
KICKSTAND	KSA18 (Adapter)	
ISCG STANDARD	ISCG05	
CARRIER MOUNT	NO	
DROPPER SEATPOST READY	YES	
WATERBOTTLE MOUNT	1	
WATERBOTTLE SIZE		
FRAMESIZE S _____	0,5 L	
M _____	0,75 L	
L _____	0,75 L	
XL _____	0,75 L	

MAXIMUM PERMISSIBLE TOTAL WEIGHT	120 KG
MAXIMUM TIRE WIDTH	2.6
WHEEL SIZE	27.5" 29"

